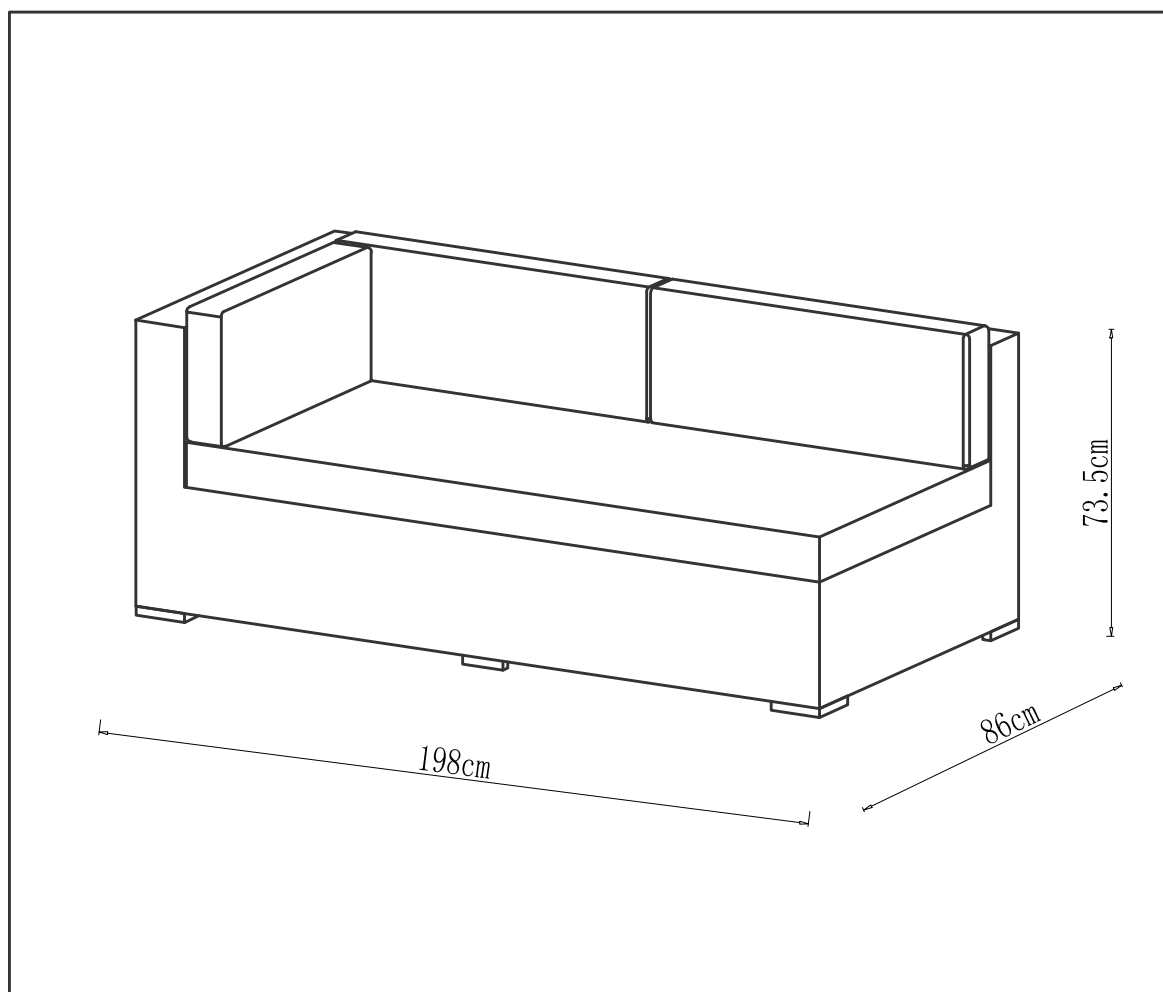




ASSEMBLY INSTRUCTION
BARBOSA 4PCE MODULAR LOUNGE SETTING
ITEM CODE - 53369

Imported by Amart Furniture Pty Ltd, Qld, Brisbane Australia .
For any assistance with assembly or for missing parts please phone
Amart Furniture , Customer Service Freecall 1800 351 084





Imported by Amart Furniture Pty Ltd, Qld, Brisbane Australia .
For any assistance with assembly or for missing parts please phone
Amart Furniture, Customer Service Freecall 1800 351 084

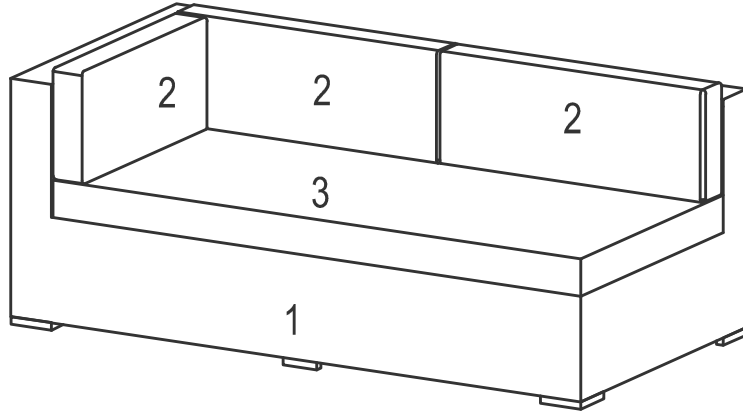
PRE-ASSEMBLY PREPARATION

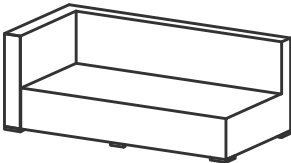


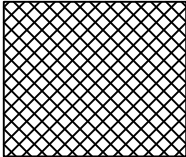
Before you start:

1. Choose a clean, level, spacious assembly area. Avoid hard surfaces that may damage the product.
2. Take care when lifting. Product should be assembled as near as possible to the point of use.
3. Ensure that you have all required contents for complete assembly.
4. Always read the assembly instructions carefully before beginning assembly.
5. Keep all hardware parts and packaging out of reach of small children.
6. Do not over tighten the screws and bolts as this may damage the threads.

	
ALLOW 10 MINUTES	PEOPLE REQUIRED
ADDITIONAL TOOLS REQUIRED	



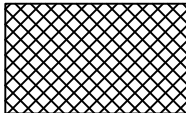
PARTS LIST



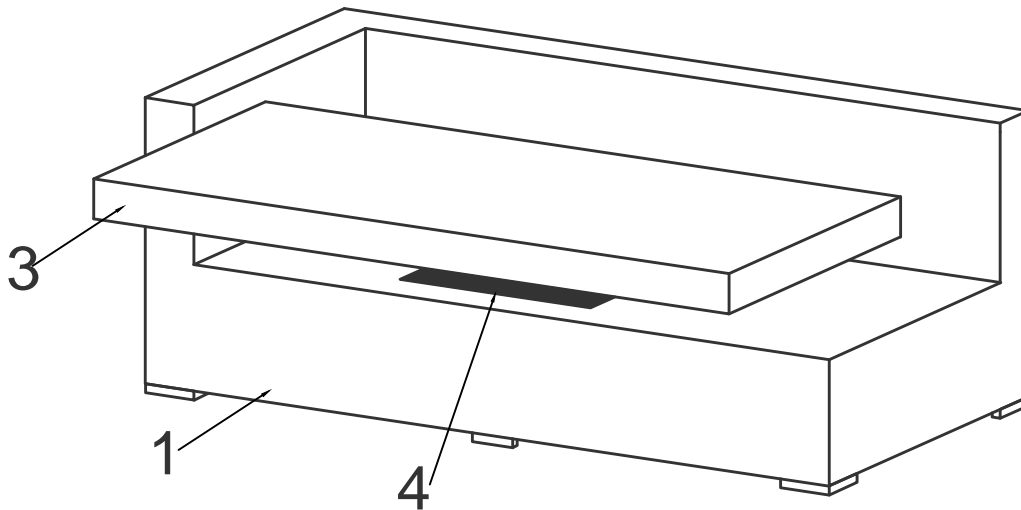
<p>1 Right arm sofa  2PC</p>	<p>2 Back Cushion  5PCS</p>
<p>3 Cushion  2PCS</p>	<p>4 Non-slip mat  2PCS</p>

Step 1:

ITEMS REQUIRED

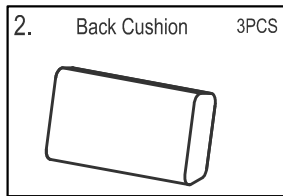
1. Right arm sofa 1PC 	3. Cushion 1PCS 	4. Non-slip mat 1PCS 
--	--	--

- Put the non-slip mat (4) under the cushion (3) .

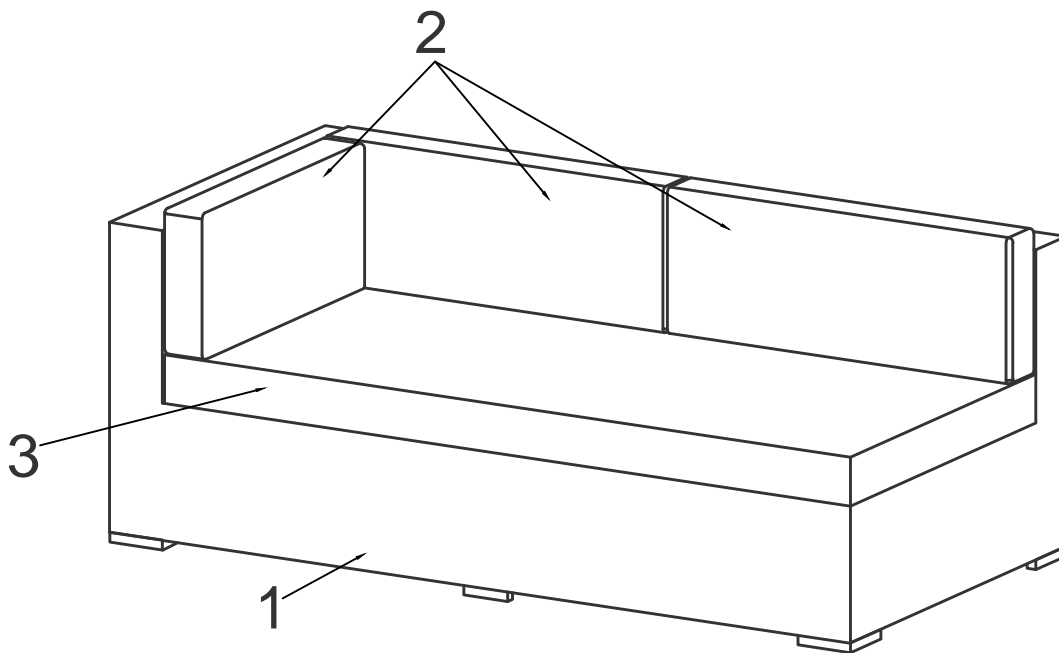


Step 2:

ITEMS REQUIRED

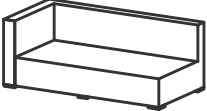

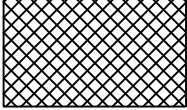


- Put the back cushion (2) on the cushion (3) .

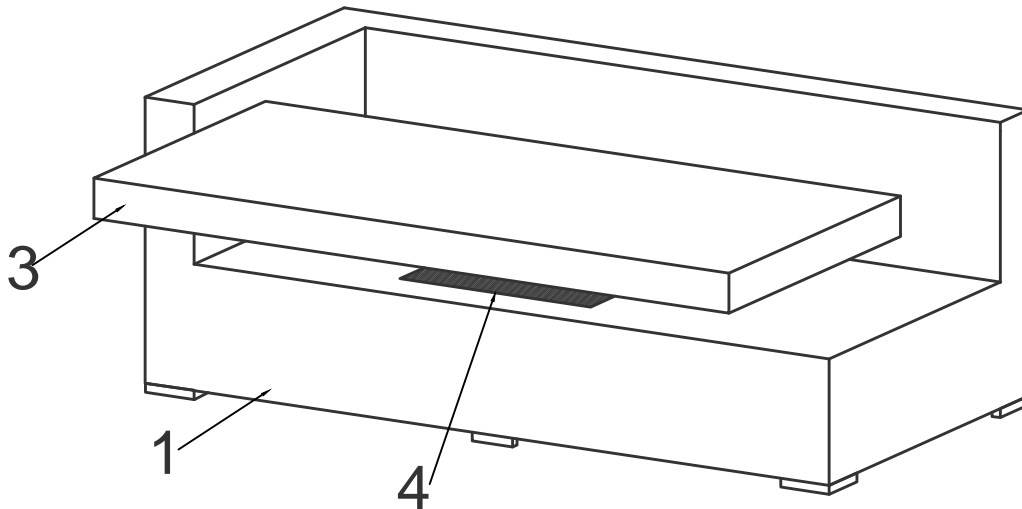


Step 3:

ITEMS REQUIRED

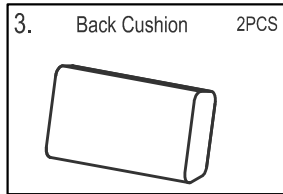
1. Right arm sofa 1PC	3. Cushion 1PCS	4. Non-slip mat 1PCS
		

- Put the non-slip mat (4) under the cushion (3) .

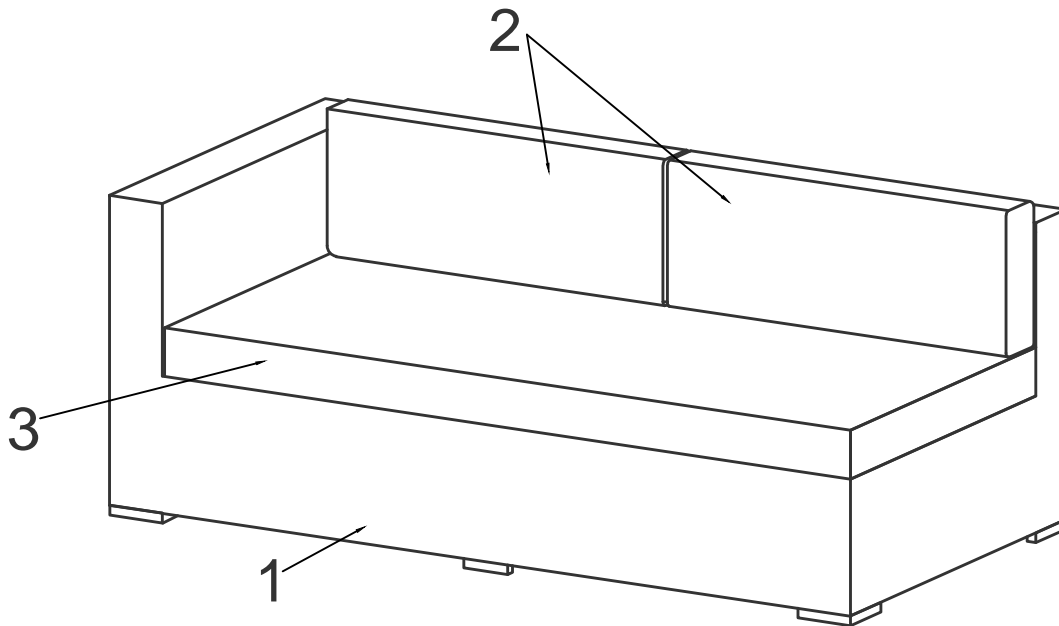


Step 4:

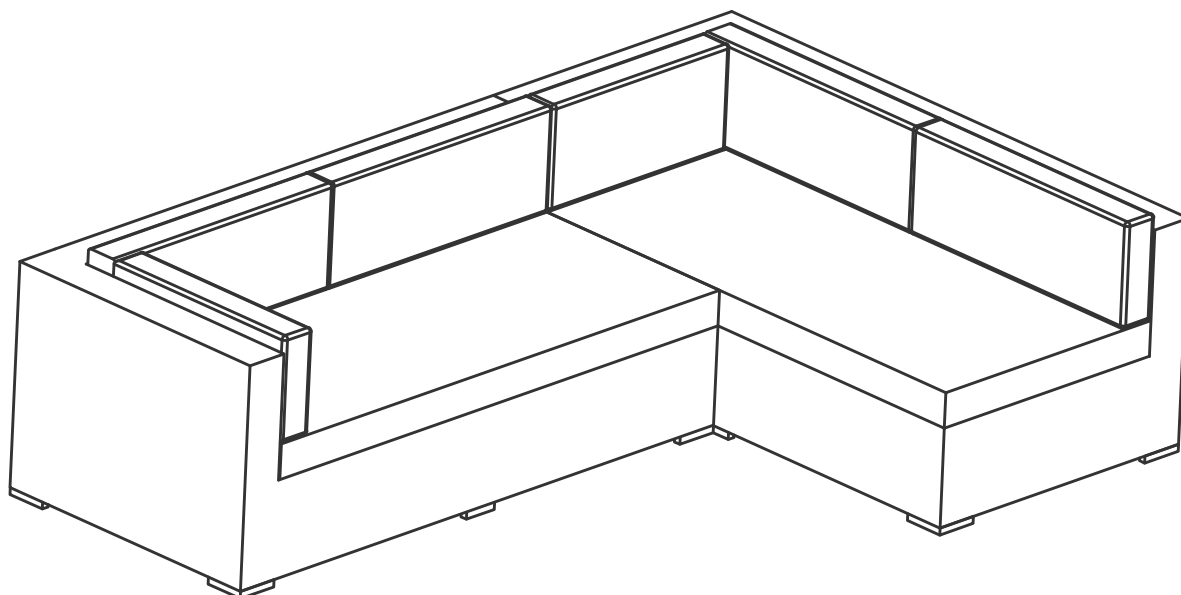
ITEMS REQUIRED



- Put the back cushion (2) on the cushion (3) .



ASSEMBLY IS COMPLETE



Care and maintenance



Cushions

- ☒ Direct exposure to the Sun's harmful UV rays is likely to cause rapid colour fading to fabrics. For best results we recommend avoiding exposure to direct sunlight.
- ☒ To ensure product longevity it is recommended outdoor products are not left permanently exposed to the elements.
- ☒ Spot clean using mild detergent and a soft clean cloth. Rinse in lukewarm water.
- ☒ Do not tumble dry.
- ☒ Do not bleach.
- ☒ Do not dry clean.
- ☒ Cool iron onl.

Metal

- ☒ Item is designed for use outdoors. However we do not recommend leaving this product outside when not in use. To preserve the life of this item, avoid prolonged exposure to the elements & store inside/under cover or use an outdoor cover.
- ☒ DO NOT allow the furniture to be left in the rain or left wet for extended periods of time.
- ☒ Wipe furniture Dry immediately after it becoming wet.
- ☒ DO NOT clean your furniture down with any harsh solvents, abrasives or chemicals.
- ☒ To remove dirt and grime, simply rinse with fresh water or periodically clean using a sponge and mild detergent solution as required

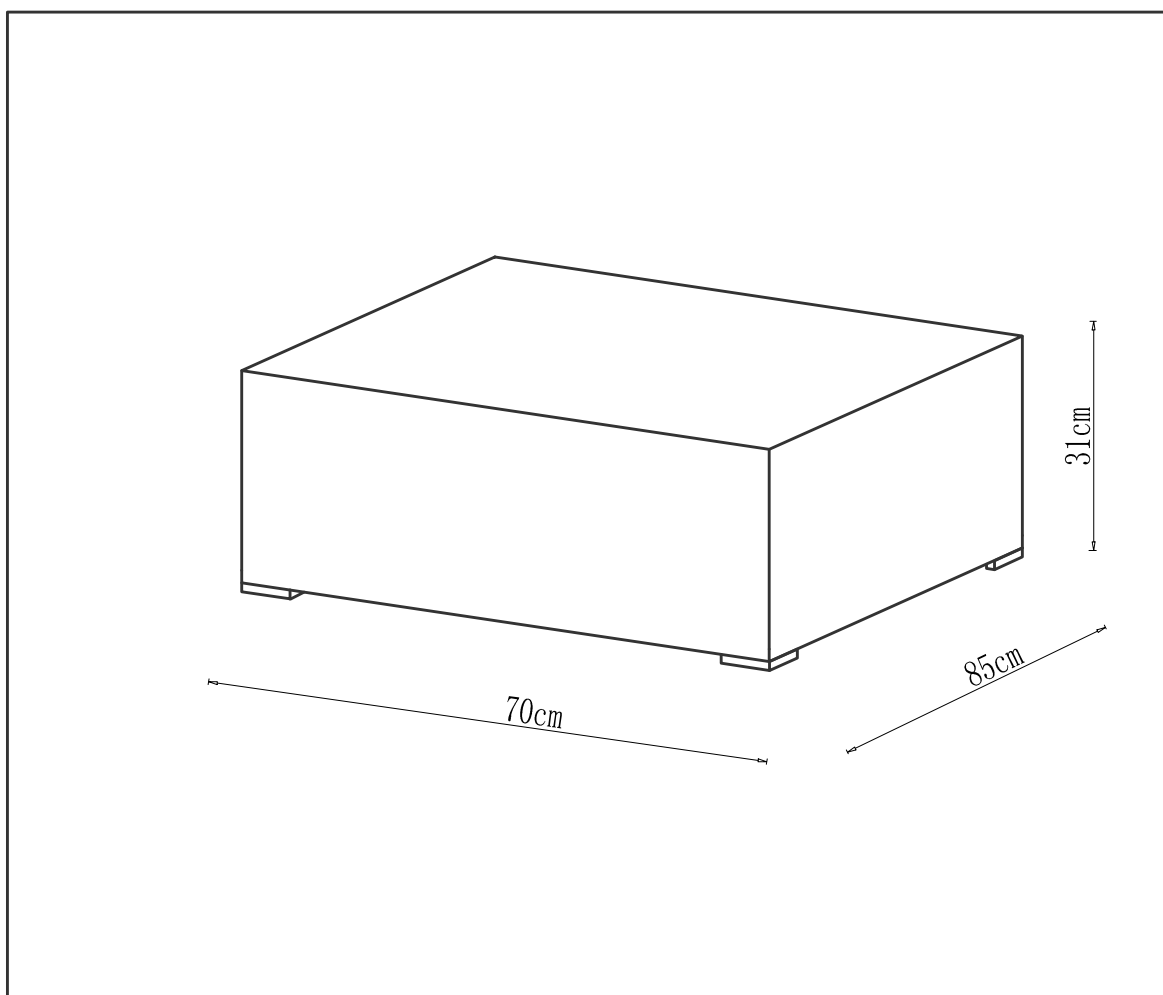
Wicker

- ☒ Regular vacuuming and dusting of items is recommended.
- ☒ If weave on wicker becomes lacerated/damaged, do not pull on it as this may cause unravelling.
- ☒ Prolonged exposure to the elements may cause colour fading.
- ☒ To extend the life of your product the use of an Amart approved Outdoor Furniture Cover is highly recommended. Please contact store of purchase for further details.



ASSEMBLY INSTRUCTION
BARBOSA 4PCE MODULAR LOUNGE SETTING
ITEM CODE - 53369

Imported by Amart Furniture Pty Ltd, Qld, Brisbane Australia .
For any assistance with assembly or for missing parts please phone
Amart Furniture , Customer Service Freecall 1800 351 084


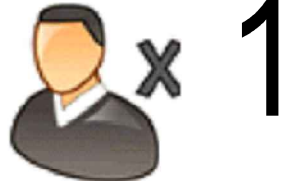


Imported by Amart Furniture Pty Ltd, Qld, Brisbane Australia .
For any assistance with assembly or for missing parts please phone
Amart Furniture, Customer Service Freecall 1800 351 084

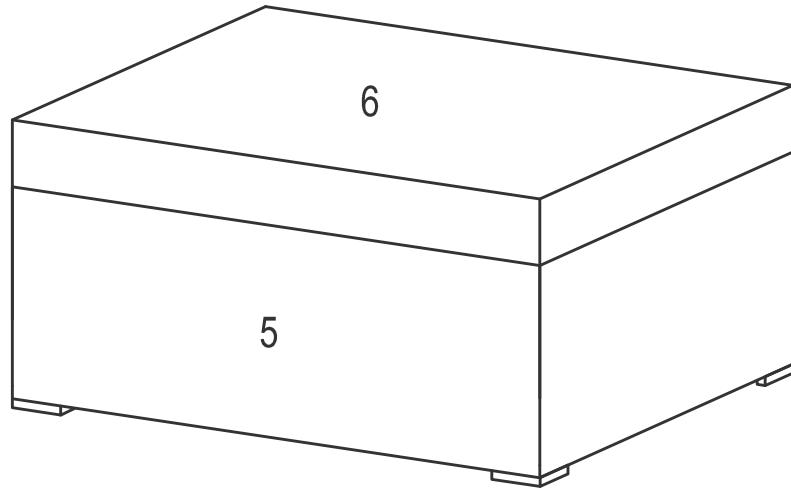
PRE-ASSEMBLY PREPARATION

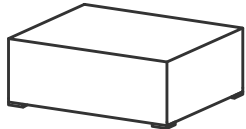
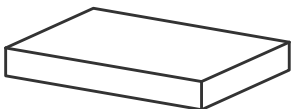
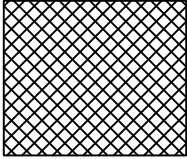
Before you start:

1. Choose a clean, level, spacious assembly area. Avoid hard surfaces that may damage the product.
2. Take care when lifting. Product should be assembled as near as possible to the point of use.
3. Ensure that you have all required contents for complete assembly.
4. Always read the assembly instructions carefully before beginning assembly.
5. Keep all hardware parts and packaging out of reach of small children.
6. Do not over tighten the screws and bolts as this may damage the threads.

	
ALLOW 10 MINUTES	PEOPLE REQUIRED
ADDITIONAL TOOLS REQUIRED	

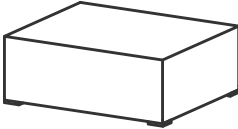
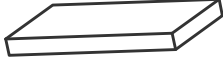
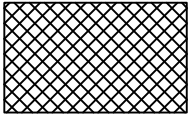
PARTS LIST



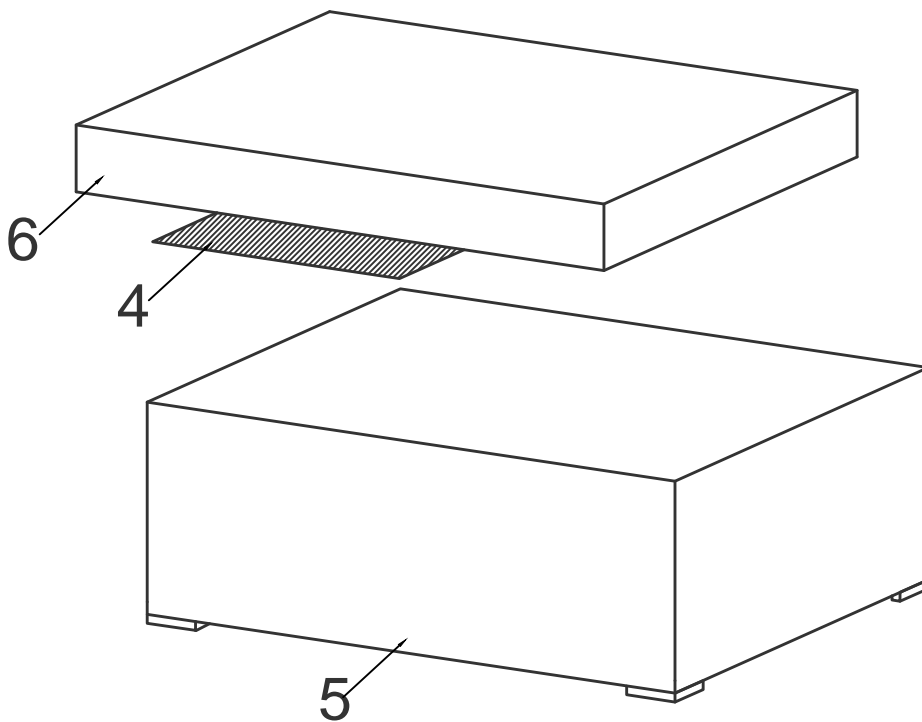
5 Footstool  1PC	
6 Cushion  1PCS	4 Non-slip mat  1PCS

Step 1:

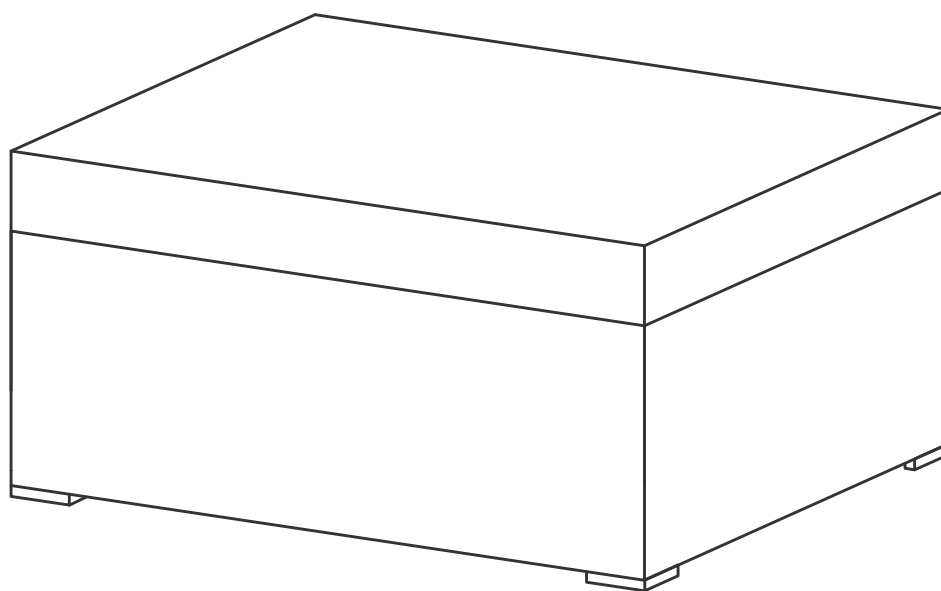
ITEMS REQUIRED

5. Footstool 1PC 	6. Cushion 1PCS 	4. Non-slip mat 1PCS 
---	--	--

- Put the non-slip mat (4) under the cushion (6) .



ASSEMBLY IS COMPLETE



Care and maintenance



Cushions

- ☒ Direct exposure to the Sun's harmful UV rays is likely to cause rapid colour fading to fabrics. For best results we recommend avoiding exposure to direct sunlight.
- ☒ To ensure product longevity it is recommended outdoor products are not left permanently exposed to the elements.
- ☒ Spot clean using mild detergent and a soft clean cloth. Rinse in lukewarm water.
- ☒ Do not tumble dry.
- ☒ Do not bleach.
- ☒ Do not dry clean.
- ☒ Cool iron onl.

Metal

- ☒ Item is designed for use outdoors. However we do not recommend leaving this product outside when not in use. To preserve the life of this item, avoid prolonged exposure to the elements & store inside/under cover or use an outdoor cover.
- ☒ DO NOT allow the furniture to be left in the rain or left wet for extended periods of time.
- ☒ Wipe furniture Dry immediately after it becoming wet.
- ☒ DO NOT clean your furniture down with any harsh solvents, abrasives or chemicals.
- ☒ To remove dirt and grime, simply rinse with fresh water or periodically clean using a sponge and mild detergent solution as required

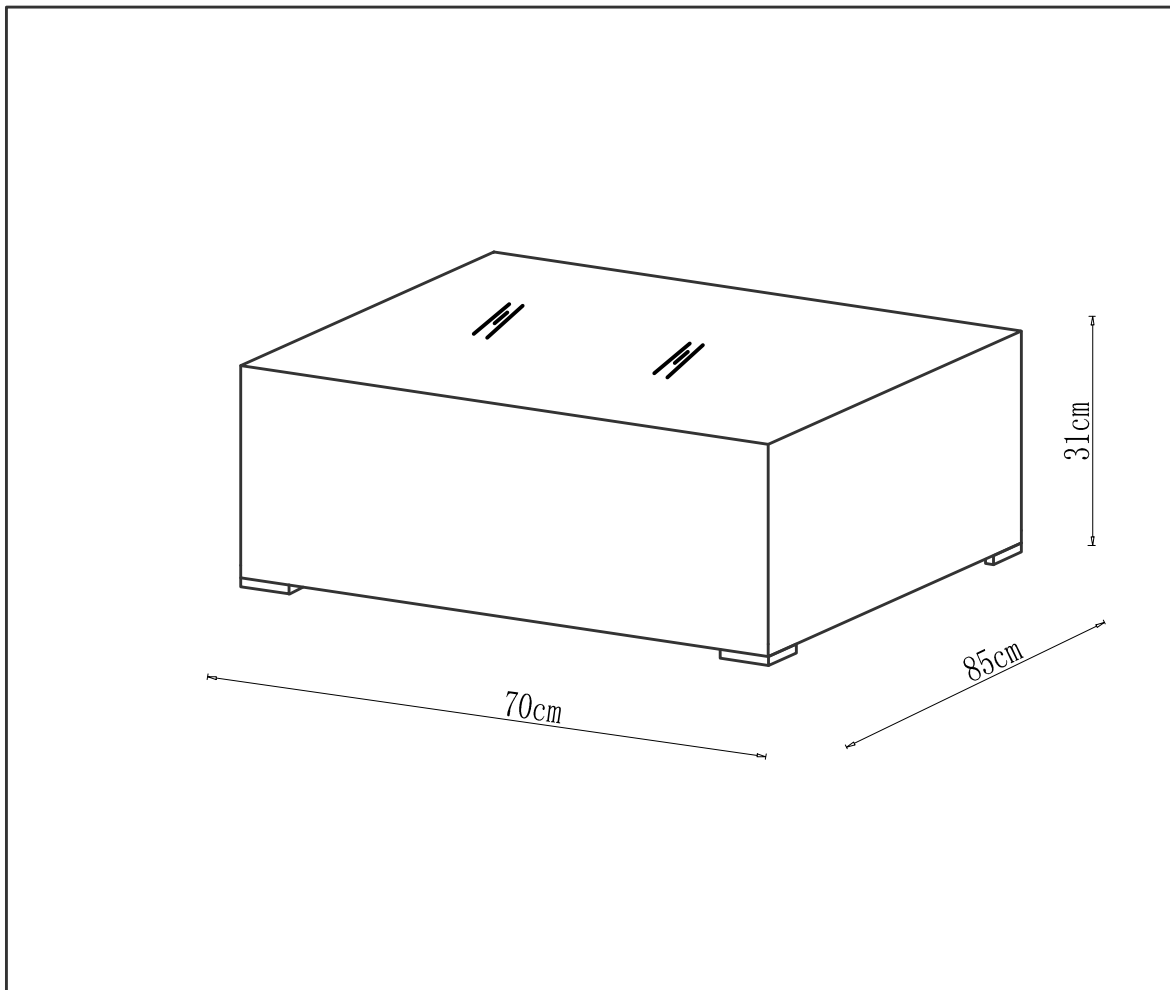
Wicker

- ☒ Regular vacuuming and dusting of items is recommended.
- ☒ If weave on wicker becomes lacerated/damaged, do not pull on it as this may cause unravelling.
- ☒ Prolonged exposure to the elements may cause colour fading.
- ☒ To extend the life of your product the use of an Amart approved Outdoor Furniture Cover is highly recommended. Please contact store of purchase for further details.



ASSEMBLY INSTRUCTION
BARBOSA 4PCE MODULAR LOUNGE SETTING
ITEM CODE - 53369

Imported by Amart Furniture Pty Ltd, Qld, Brisbane Australia .
For any assistance with assembly or for missing parts please phone
Amart Furniture , Customer Service Freecall 1800 351 084



Imported by Amart Furniture Pty Ltd, Qld, Brisbane Australia .
For any assistance with assembly or for missing parts please phone
Amart Furniture, Customer Service Freecall 1800 351 084

Care and maintenance



Wicker

- Regular vacuuming and dusting of items is recommended.
- If weave on wicker becomes lacerated/damaged, do not pull on it as this may cause unravelling.
- Prolonged exposure to the elements may cause colour fading.
- To extend the life of your product the use of an Amart approved Outdoor Furniture Cover is highly recommended. Please contact store of purchase for further details.

Glass

- If the glass is chipped or broken, stop using the product and consult place of purchase .
- Do not drop, drag or strike glass .
- Do not sit or stand upon the glass surface .
- Do not place very hot or cold items on the glass surface unless adequately thick table mats are used to prevent such items coming in contact with the glass .
- Do not place heavy objects on glass .
- Avoid scratching the glass or using as a chopping surface .
- Do not strike the glass with hard or pointed items .
- When cleaning the glass panels use a damp cloth with washing up liquid or soft soap if necessary. Do not use washing powders or any other substances containing abrasives since these may scratch the glass.

Metal

- Item is designed for use outdoors. However we do not recommend leaving this product outside when not in use. To preserve the life of this item, avoid prolonged exposure to the elements & store inside/under cover or use an outdoor cover.
- DO NOT allow the furniture to be left in the rain or left wet for extended periods of time.
- Wipe furniture Dry immediately after it becoming wet.
- DO NOT clean your furniture down with any harsh solvents, abrasives or chemicals.
- To remove dirt and grime, simply rinse with fresh water or periodically clean using a sponge and mild detergent solution as required